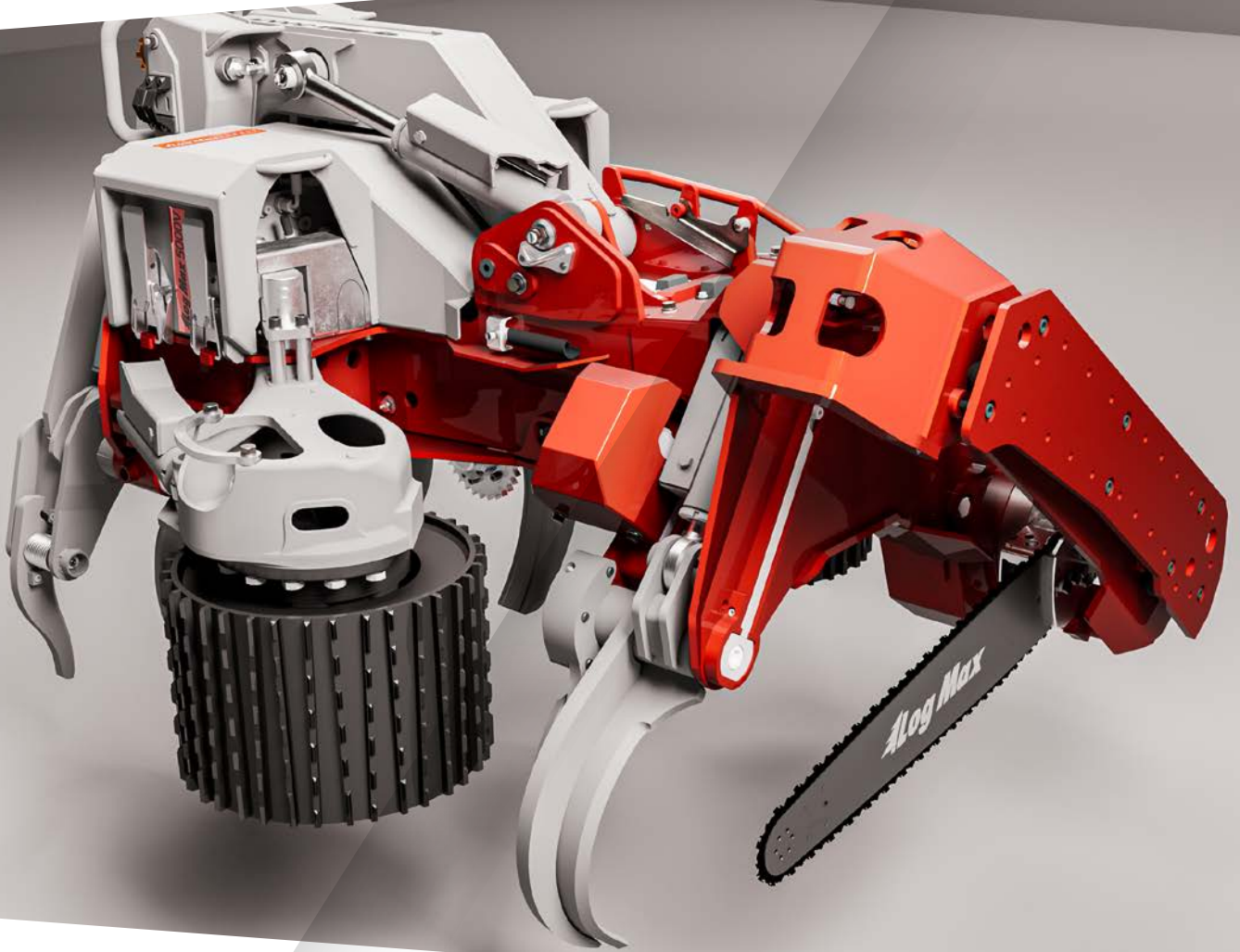




Log Max 5000V



HEADS ABOVE THE COMPETITION

logmax.com

5000V

GET MORE DONE, ENJOY VERSATILITY

Introducing the Log Max 5000V - the ultimate workmate for all your logging needs. This harvesting head is a perfect combination of durability, agility, accuracy, and intelligence, making it the perfect tool for even the toughest logging situations worldwide.

With its reinforced design, the Log Max 5000V can withstand the toughest applications, while delivering unparalleled accuracy and precise measurements of length and diameter.

Plus, with its smartly designed features, servicing the Log Max 5000V is a breeze, allowing you to keep it running for longer hours without any hassle.

Get your hands on the Log Max 5000V today and experience the benefits of a modern and powerful harvesting head.

WHAT MAKES THE 2024 5000V SPECIAL :

DURABILITY

The frame is reinforced in many places to withstand the toughest jobs and increase lifespan. The saw box as been slimmed down to improve the heads performance in snowy condition.

CUTTING PERFORMANCE

The new 318 MK2 - 30cc as a new saw valve optimized to offer fast, trouble-free cutting.

THE MEASURING RESULTS

There is a high requirement for today's harvester heads to deliver precise measurement results. The 5000V measuring unit has been redesigned to meet these requirements.

SIMPLICITY & EASE OF ACCESS

It's now even easy to perform regular maintenance and service on the head. Improved accessibility, well laid out hoses and grease nipples makes life easier.

STRENGTH AND DURABILITY

REINFORCED FRAME AROUND THE LENGTH MEASURING UNIT

To improve the frame's durability and life span, we have changed the design of the measuring wheel hole and reinforced the stoppers for the feed roller arms on the inside of the frame, this increases the frame's strength and stability.

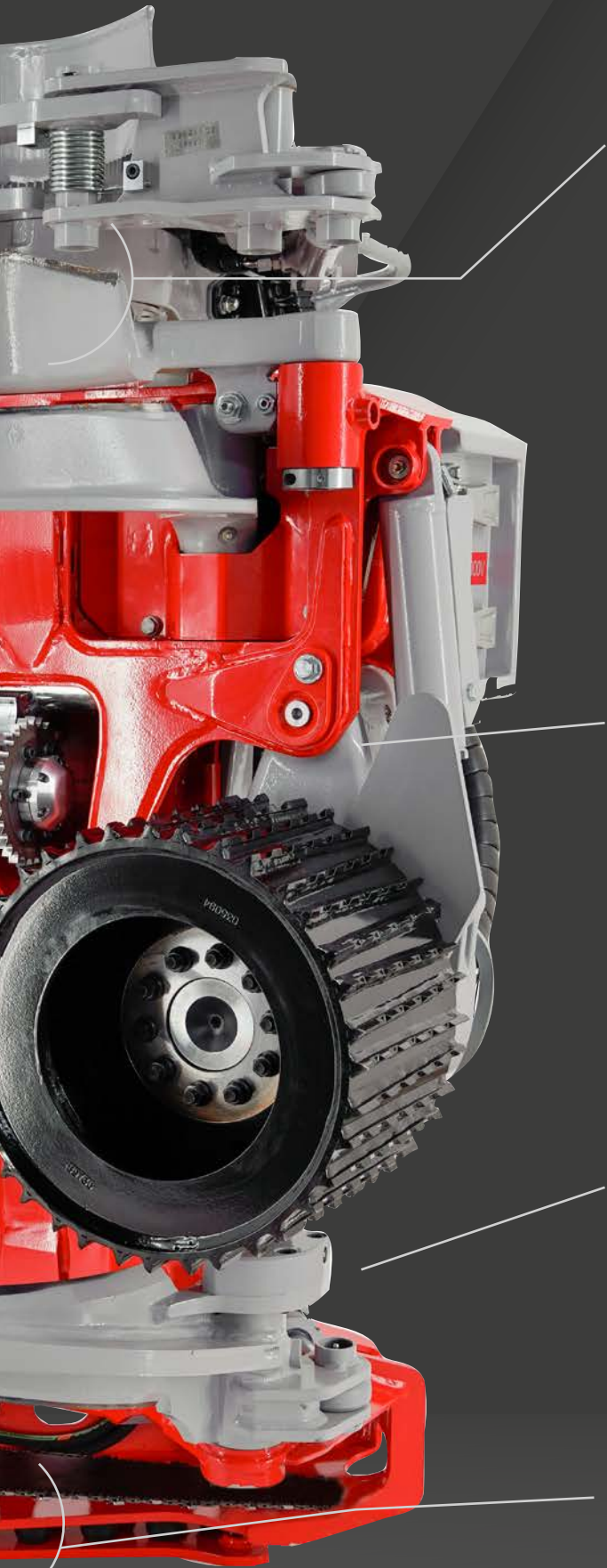
IMPROVED LENGTH MEASUREMENT FUNCTION & NEW CONTACTLESS SENSOR

The new length measuring unit is packed with smart features, such as the contactless sensor, easier lubrication, and durable tapered bearings.

SAW 318-MK2 SAW 318-MK2 30cc

The new Saw 318 MK2 offers enhanced convenience and durability with careful material choices and design ideas that minimize maintenance needs. Upgrades include a new rubber seal to prevent dirt and moisture from entering the chain tensioner, a Hardox 450 saw bar holder with improved strength, a new location for the "saw bar home" sensor for easy servicing, and new tensioner pistons for increased durability and service life.





NEW GENERATION MULTI-STEMMING UNIT - MK2

The Log Max 5000V multi-stemming unit has received a new design with several beneficial consequences, including reduced weight, increased life span and simplified service.

NEW DESIGN OF THE FEED ROLLER ARMS

The feed roller arms have been redesigned. The distance between from the attachment pin to the center of the roller as been increased. This change improves the performance of the Log Max 5000V as it can now process smaller and larger stems between the rollers.

NEW LASER FIND END SENSOR

The Laser Find End function has been redesigned and relocated to increase durability and reduce the risk of debris build-up. The new design includes a lens for the actual hole and a new design.

STRENGTH AND DURABILITY

PROTECTED HOSES

The hose routing for the multi-stemming unit, colour marking unit and the grease lubrication are new, and the hoses are more protected to increase their life span.

NEW PROTECTIVE COVER

The protective cover is updated with a new modern design. The cover is reinforced on the inside to prevent it from being pushed if snow packing occurs.

REINFORCED AND EXTENDED REPLACEABLE PINS FOR FELLING LINK CYLINDER

The pins for attaching the felling link cylinder to the frame are screwed at both ends. This solution will simplify service and maintenance.

NEW STRONGER HYDRAULIC CYLINDER FOR THE LOWER DELIMBING KNIFE

To improve the function of the lower delimiting knife and increase its stroke length, Log Max 5000V has been equipped with a new cylinder. This change makes the moment arm larger, thereby making the harvester stronger.





SAFETY PIN ATTACHMENT INTEGRATED INTO FRAME

To simplify service, facilitate transport and increase safety, the safety chain has been replaced by a "Safety Pin", which forms a locking mechanism between the frame and the felling link. You can now link a bracket under the rotator to a bracket in the frame with the help of a locking pin.

INCREASED EFFICIENCY AND BETTER PERFORMANCE

With the Log Max 5000V, you'll experience enhanced efficiency and improved performance, thanks to the inclusion of new high-flow feed roller motors. These motors have been specifically designed to boost the harvesting head's productivity, with the added benefit of eliminating banjo couplings.

The upgrade ensures better flow and reduces heat generation, allowing the machine to operate at faster speeds. Additionally, the feed roller arms have also been upgraded with a new casting material that complements these changes, ensuring maximum performance from your harvesting head.

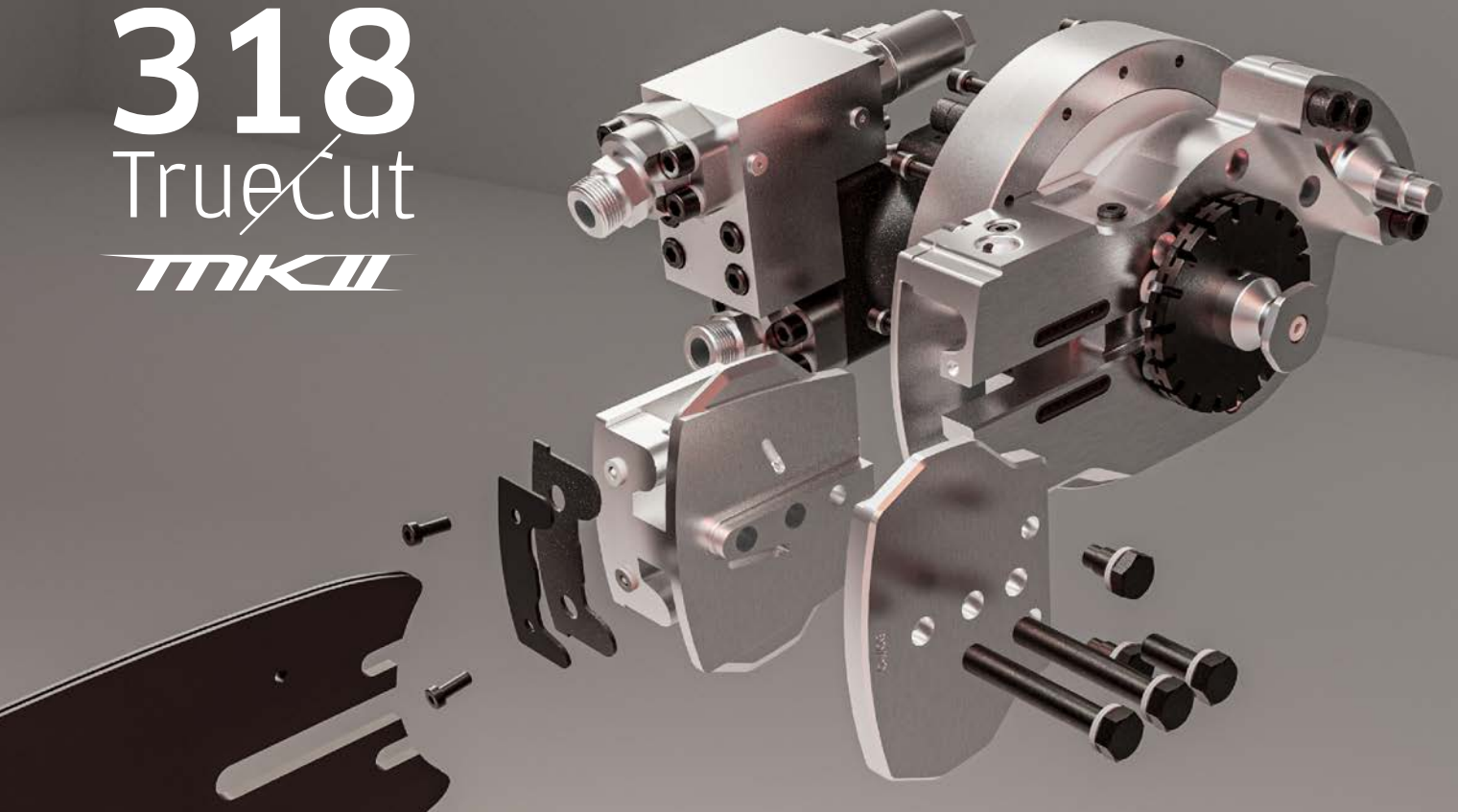
CHANGED GEOMETRY AND DESIGN OF THE SAW BOX

The saw box has been redesigned and extended to accommodate saw bars up to 82 cm in length, a new root protection plate providing enhanced protection to the chain against roots and enables easier cutting of larger trees with a maximum diameter of 74 cm. Furthermore, the footprint of the saw box has been reduced, making it particularly advantageous in snowy conditions.

SAW UNIT

318

TrueCut
MKII



Introducing the enhanced Saw Unit 318 MK2, designed to improve your work process. Through meticulous material selection and innovative design concepts, this unit significantly reduces maintenance requirements while maximizing durability. Discover the new features that make the Saw 318 MK2 a game-changer.

Upgraded Saw Bar Mount:

The saw bar bracket has undergone significant improvements. It now includes a protective cover and rubber seals to seal off the bracket, preventing the infiltration of dirt and dust. Additionally, new grease nipples have been added to the front sides, enabling easy application of grease to safeguard against moisture, dirt, and debris.

Enhanced Saw Bar Holder:

The saw bar holder has been upgraded with premium-grade Hardox 450 material and an improved design. The attachment mechanism for the saw bar itself has been reinforced, ensuring enhanced strength and longevity. Furthermore, the updated contour of the holder acts as a guide, effectively realigning the chain if it is at risk of disengagement.

Convenient “Saw Bar Home” Sensor Placement:

To optimize servicing convenience, the “saw bar home” sensor has been repositioned, facilitating easy access during maintenance operations.

Improved Swivel Seals Material:

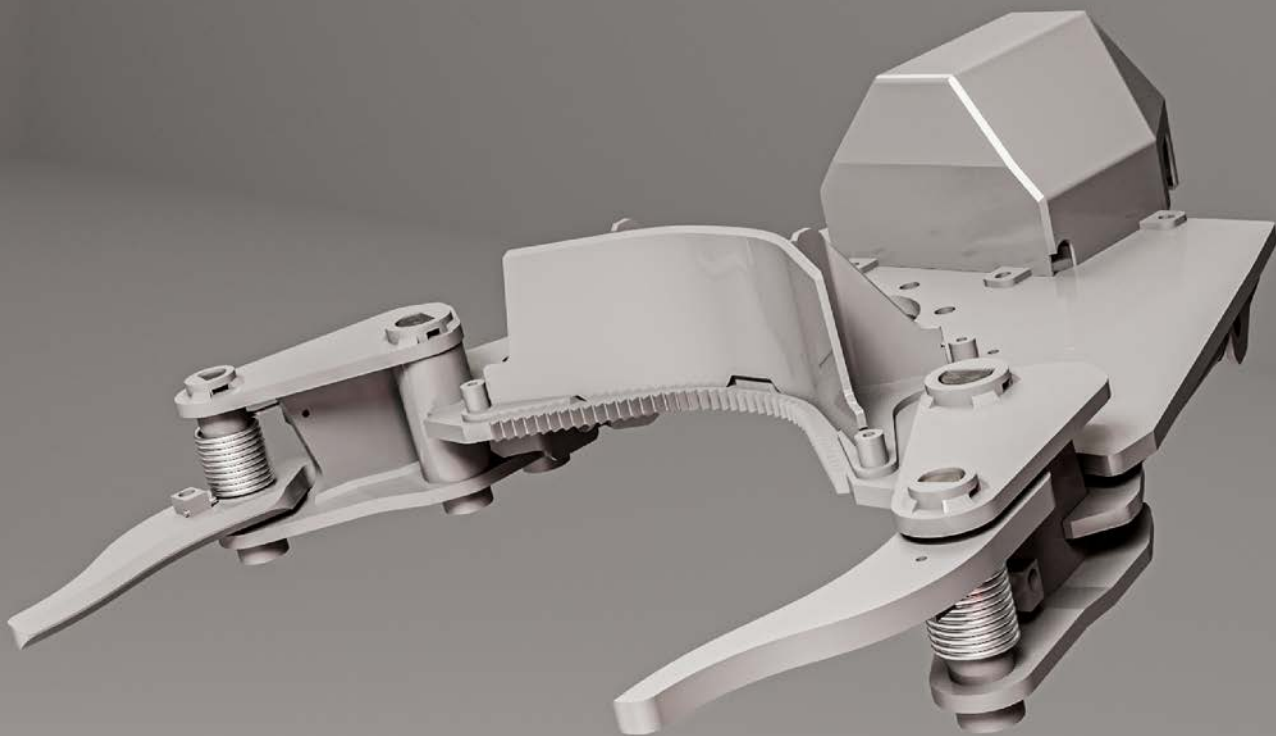
The swivel seals now feature a new material, selected to increase service life and simplify assembly processes. This enhancement ensures longevity and efficient functionality.

High-Performance Tension Pistons:

The tension pistons have been crafted from premium case-hardening steel, a durable material that significantly improves their lifespan. This upgrade guarantees superior durability and prolonged service life.



MULTI-STEMMING - MK2



The Log Max 5000V multi-stemming unit has received a new design with several beneficial consequences, including reduced weight, increased life span and simplified service.

More robust design:

The support plate at the front has been given a new design and more robust attachment to withstand more wear.

Protected hoses:

The hoses of the multi-stemming unit are integrated with the rotator control hoses, both conveniently routed along the left side of the felling link. This change not only ensures a streamlined arrangement but also allows the hoses to be shielded from potential damage, leading to extended durability.

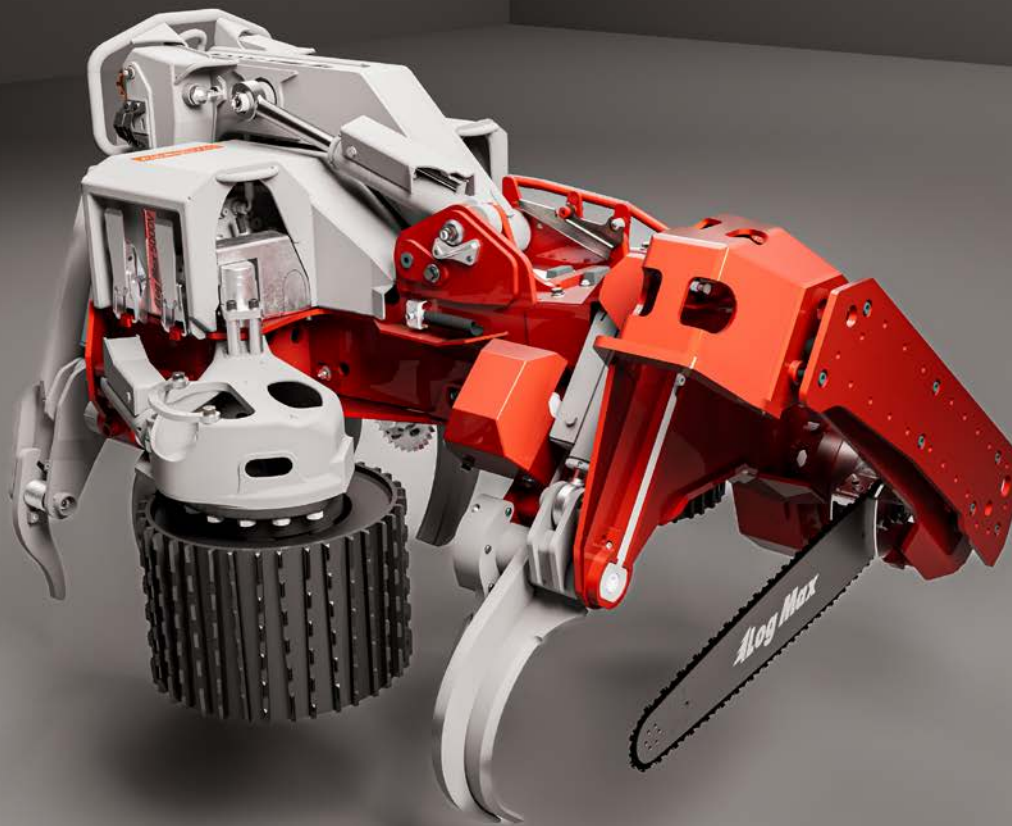
Improved Serviceability:

To enhance serviceability, the cylinders have been relocated underneath the unit, minimizing the chances of snow and dirt accumulation. Additionally, the new cylinders feature a standard design, while the attachment has been reinforced with a new fork design. These modifications result in decreased service and maintenance requirements and enhance the overall durability of every component in the multi-stemming unit.

Reduced weight:

The new design features a 50 mm slimmer plate between the unit and the rotator. This alteration not only enhances the unit's usability but also contributes to a weight reduction of approximately 5 kg in the multi-stemming unit.

4 POINT MEASURING MK2



Log Max four-point measurement MK2 has new components and functions to work optimally under harsh conditions. The aim is to ensure a long service life and good functionality.

Contactless encoder:

Four-point measurement MK2 has received a new non-contact encoder in the lower delimiting knife, increasing its lifespan and simplifying service and maintenance. On the new encoder, the zero point can be set during installation to reduce the margin of error in case of snow or debris packing.

Stronger lower delimiting knife:

The lower delimiting knife has received a new function, **“Active Lower Knife”**, to increase the lifting power of the Harvesting Head.

“Dual Action Knife” allows you to keep the stem against the frame without the delimiting knife being too strong or weak. The change will make the lower delimiting knife stronger and able to hold trees optimally.

The control system regulates the function, and the pressure on the knife is adapted to the output length and diameter of the stem.

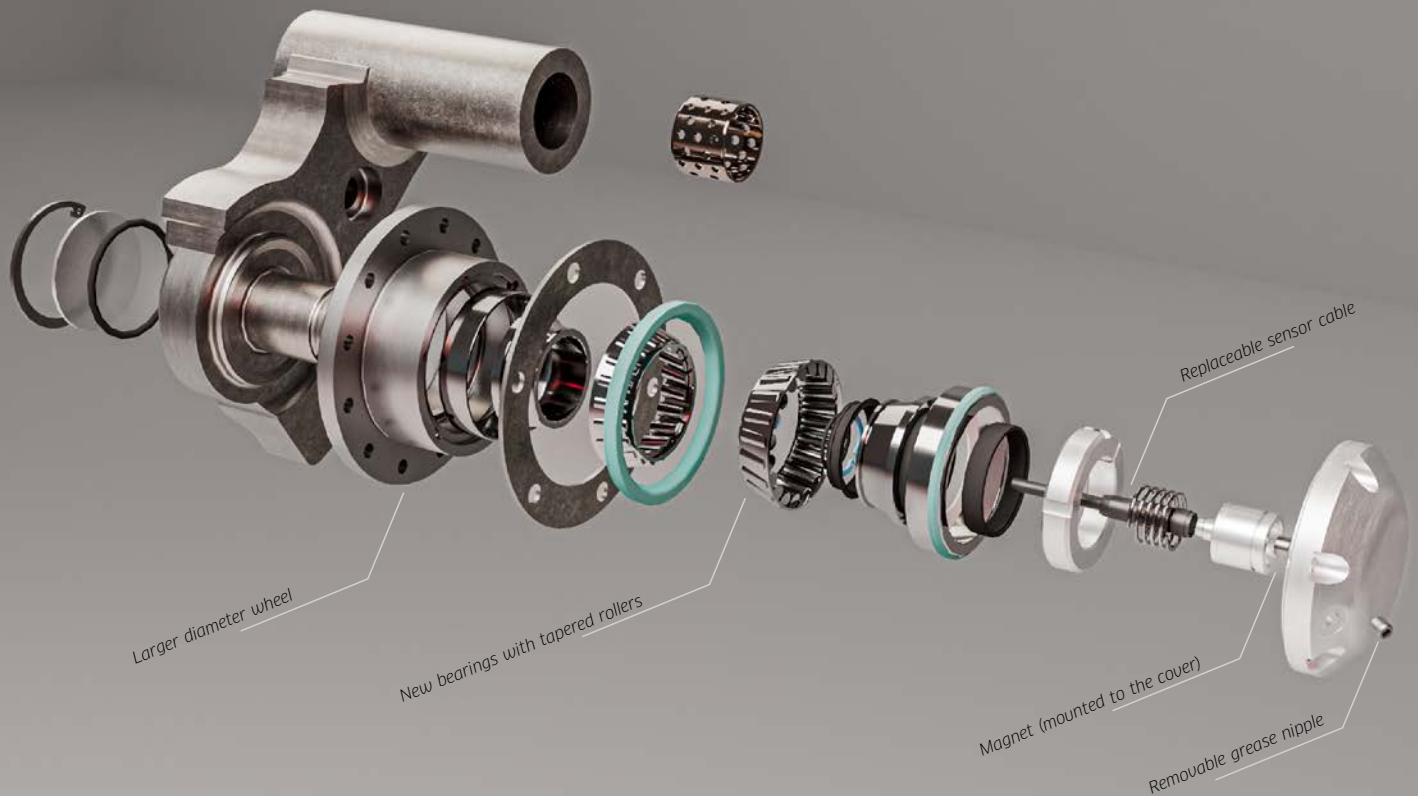
New axel nut :

Four-point measurement MK2 has a specially designed nut for the axel of the four-point measurement to increase its durability.

New cable routing:

The four-point measurement of 5000V has received a new placement of cable that previously ran on the outside of the saw box. The cable is now located under the saw box to reduce the risk of snow and ice packing.

IMPROVED LENGTH MEASURING



The length measurement function has been significantly improved to enhance accuracy. Changes include redesigning the measure wheel cylinder, updating the hydraulic circuit, reinforcing the measuring wheel arm and attachment, and introducing a new measuring wheel unit with a larger wheel. These enhancements allow the measuring wheel to precisely follow the stem's contour, resulting in superior measurement results.

New contactless sensor:

The new sensor for the length measurement is contactless and has no mechanical moving components that will result in minimal or even non-existent service and maintenance of this sensor.

New tapered roller bearing and lubrication point

The measuring wheel assembly has been equipped with a new bearing with tapered rollers which provides a more stable and stronger construction.

To simplify the maintenance of the roller bearing, we have added a lubrication point on the aluminium cover of the measuring unit. You can now easily insert a lubrication nipple into the lubrication point (recommended every 1000h.) and refill with grease.



The spring loaded sensor is placed in the arm and retained by a lock ring. An o-ring prevents it from turning. The magnet is fixed to the cover. The cable is detachable.





Log Max
5000V

318
TrueCut
MKII

5000V 2024 IN NUMBERS

DIMENSIONS AND WEIGHT

Weight (incl. feed rollers and cushioned protection plate, saw unit, hydraulic oil and lubrication oil)	950 kg	2,094 lbs
Min. width	1 105 mm	3 ft 7.5"
Max. width	1 382 mm	4 ft 6.4"
Height to upper delimiting knife	1 454 mm	4 ft 9.2"
Height to felling link	1 493 mm	4 ft 10.8"
Max. full delimiting coverage	398 mm	15.7"
Max. cutting diameter, main saw	740 mm	29.1"
Max. cutting diameter, top saw	-	-
Min. opening between feed rollers, V-steel	12 mm	0.47"
Max. opening between feed rollers, V-steel	530 mm	20.9"
Max. opening between main delimiting knives	535 mm	21.1"

SAW UNITS

Equipment	Saw 318 True Cut	Saw 318
Saw chain tensioning	Automatic	Automatic
Saw motor	19 ccm - 1.16 cu in	30 ccm - 1.83 cu in
Max. cutting Ø	615/715 mm - 24.2"/28.1"	640/740 mm - 25.2"/29.1"
Saw chain speed	max 40 m/s - 131 ft/sec	max 40 m/s - 131 ft/sec
Saw bar standard	549518-175	549418-475SM
Saw bar optional	549418-175SM	549418-482SM
Saw bar optional	549518-182	-
Saw bar optional	549418-182SM	-
Saw chain	88/88/96/96 DL	92/99 DL
Saw chain pitch	0.404	0.404
Chain sprocket	Z13	Z18
Cutting control sensor	Yes	Yes
Stump treatment	optional	optional
Chain oil capacity 20 liters - 5.2 US gal		

FELLING

Felling movement	133°
Felling torque (hydraulic torque and weight torque)	3,4 kNm - 2,208 lbf.ft
Max. crane size, gross lifting torque	170 kNm - 125,386 lb-ft

HYDRAULICS

Max. flow, at working revs	330 l/min - 87 us.gal/min
Min. required flow, at working revs. (to get 3,0 m/s feeding speed)	200 l/min - 53 us.gal/min
Hydraulic pressure	max 280 bar - 4,061 psi, min 250 bar - 3,626 psi
Max. hydraulic power, at working revs	ca. 154 kW
Min. hydraulic power, at working revs	ca. 84 kW
Max. recommended carrier engine power, at working revs	ca. 188 kW - 250 HP
Min. recommended carrier engine power, at working revs	ca. 103 kW - 140 HP

FEEDING

Motor type	Theoretical force	True feeding force	Speed
560cc (standard)	23,4 kN - 5,251 lbf	21,9 kN - 4,923 lbf	5,0 m/s - 16.40 ft/s
625cc (opt.)	26,2 kN - 5,889 lbf	24,4 kN - 5,485 lbf	4,5 m/s - 14.76 ft/s

V *SERIES*



2024-01

Log Max